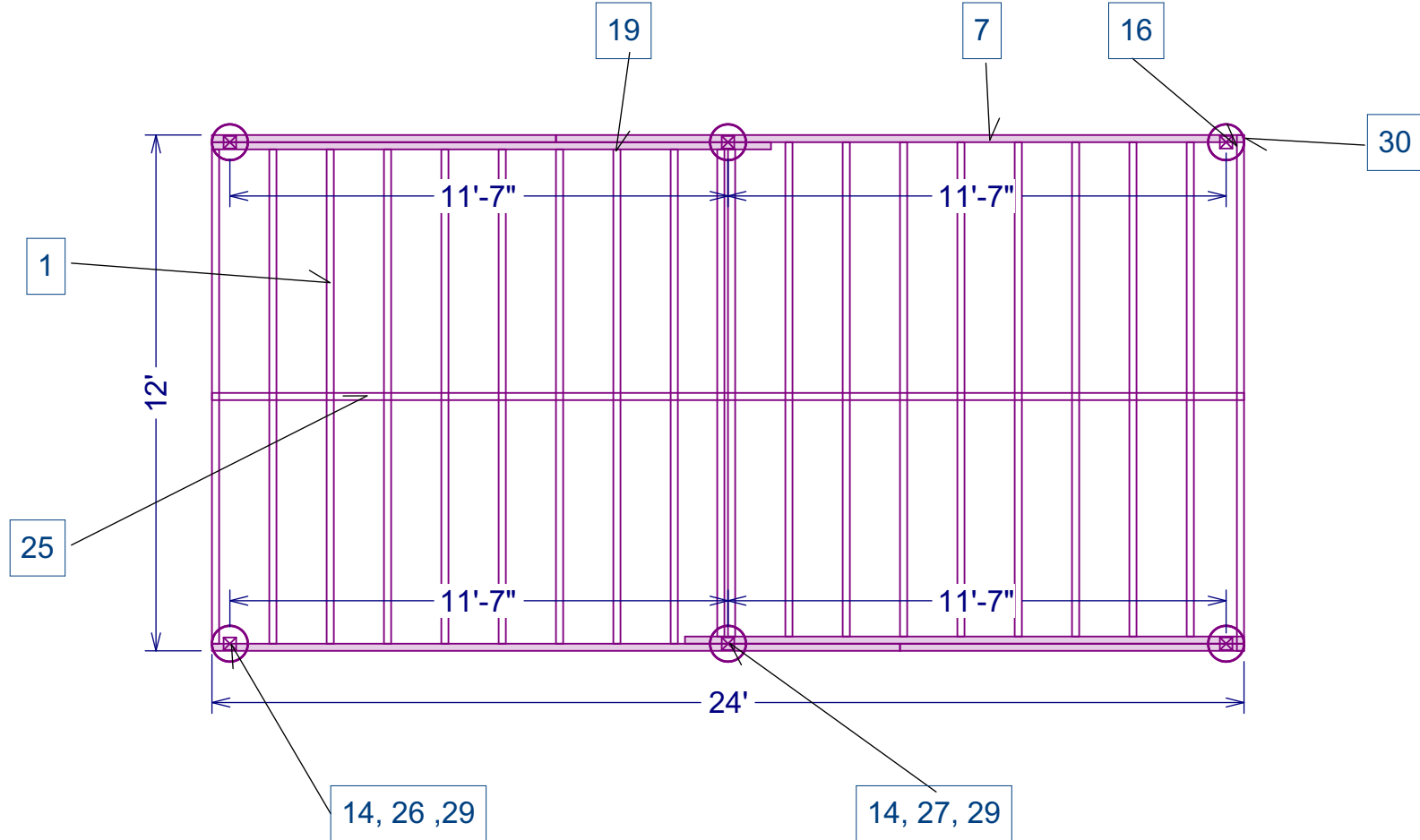


Deck Framing



Notes:
 Refer to Fortress Framing Installation guide www.fortressframing.com
 All measurements are reference only and must be verified.
 Piers - Refer to local building codes.
 DO NOT exceed spans; refer to Fortress Framing Span Charts for beam and joist span information.
 Additional blocking may be required depending on railing installation requirements.
 Note the Total Load PSF rating. This may need to be adjusted based on Dead Load and Live Load requirements and will vary by region check local building codes.
 All attached material lists are estimates only and should be verified by a licensed contractor.

SHEET:	SCALE:	DATE:	DRAWINGS PROVIDED BY:	12 x 24-75PSF		<table border="1"> <thead> <tr> <th colspan="3">REVISIONS</th> </tr> <tr> <th>NUMBER</th> <th>DATE</th> <th>REVISION/DESCRIPTION</th> </tr> </thead> <tbody> <tr> <td> </td> <td> </td> <td> </td> </tr> <tr> <td> </td> <td> </td> <td> </td> </tr> <tr> <td> </td> <td> </td> <td> </td> </tr> </tbody> </table>	REVISIONS			NUMBER	DATE	REVISION/DESCRIPTION										PSF 75
REVISIONS																						
NUMBER	DATE	REVISION/DESCRIPTION																				
1	1/4"=1'	2/22/2023	Chris Sullins																			

SPECIAL NOTE: This drawing is for estimate only and must be verified by a licensed contractor and/or engineer per local building codes.

Product Reference Sheet

Part	Part Description	Part	Part Description
1	EVOLUTION 16 Gauge Galvanized Powder Coated Joist	20	EVOLUTION-DBL HANGER BRACKET
2	Not Applicable	21	EVOLUTION-F10 "ANGLE" BRACKET (BOX 10)
3	EVOLUTION-S-LEDGER Non-Punched	22	EVOLUTION-12OC BLOCKING
4	EVOLUTION-12OC-S-LEDGER (Hatched)	23	EVOLUTION-16OC BLOCKING
5	EVOLUTION-16OC-S-LEDGER (Hatched)	24	EVOLUTION-12OC STRAP
6	EVOLUTION-Single Dropped BEAM 2X11 (Shaded)	25	EVOLUTION-16OC STRAP
7	EVOLUTION-Double Dropped BEAM 2X11 (Shaded)	26	EVOLUTION-SNGL BEAM/POST BRACKET
8	EVOLUTION-Single Flush BEAM 2X11 (Shaded)	27	EVOLUTION-DBL BEAM/POST BRACKET
9	EVOLUTION-Double Flush BEAM 2X11 (Shaded)	28	EVOLUTION-DBL BEAM TRACK-4' (2 PACK)
10	EVOLUTION-Non-Punched U-RIM JOIST-2X6	29	EVOLUTION-3.5" POST/PIER BRACKET
11	EVOLUTION-12OC U-RIM JOIST-2X6	30	EVOLUTION-BEAM CAP
12	EVOLUTION-16OC U-RIM JOIST-2X6	31	EVOLUTION-JOIST CAP
13	EVOLUTION-CURVE-RIM JOIST-2X6	32	EVOLUTION 3/4" BLACK SELF TAPPING SCREW
14	EVOLUTION-POST 3.5" X 3.5"	33	FF-EVOLUTION-7"/11" STAIR BRACKET
15	EVOLUTION-LEDGER BRACKET	34	FF-EVOLUTION-7-3/4"/11" STAIR BRACKET
16	EVOLUTION-F50 BRACKET	35	FF-EVOLUTION-ADJUSTABLE STAIR BRACKET
17	EVOLUTION-45 DEG BRACKET	36	FF-EVOLUTION-STAIR STRAP
18	EVOLUTION-RIM JOIST BRACKET	37	FF-EVOLUTION-STAIR ANCHOR BRACKET
19	EVOLUTION-SNGL HANGER BRACKET	38	FF-EVOLUTION-48" STAIR TRAY

For Installation Instructions & Video please refer to
www.fortressframing.com/resources

Notes:

Refer to Fortress Framing Installation guide www.fortressframing.com
 All measurements are reference only and must be verified.
 Piers - Refer to local building codes.
 DO NOT exceed spans; refer to Fortress Framing Span Charts for beam and joist span information.
 Additional blocking may be required depending on railing installation requirements.
 Note the Total Load PSF rating. This may need to be adjusted based on Dead Load and Live Load requirements and will vary by region check local building codes.
 All attached material lists are estimates only and should be verified by a licensed contractor.

SHEET:	SCALE:	DATE:	DRAWINGS PROVIDED BY:						
2	1/4"=1'	2/22/2023	Chris Sullins	12 x 24-75PSF					PSF 75

SPECIAL NOTE: This drawing is for estimate only and must be verified by a licensed contractor and/or engineer per local building codes.

Materials List - Deck Frame

Qty	Item Number	Item Description	Notes	Notes
20	181112161	FF-EVOLUTION-2X6 JOIST-12'-16GA-PC	16 Gauge Powder Coated Joist	
5	184116161	FF-EVOLUTION-BEAM 2X11-16'		
6	186110111	FF-EVOLUTION-POST 3.5" X 3.5"-10'		
6	183021601	FF-EVOLUTION-F50 BRACKET	L-Shaped Bracket used with Ledger and other Locations	
36	183102001	FF-EVOLUTION-SNGL HANGER BRACKET	Single Joist Hanger	
6	187104201	FF-EVOLUTION-12OC STRAP	4' joist mid-span blocking	
2	183161601	FF-EVOLUTION-SNGL BEAM/POST BRACKET	Connects Single Beam to Post	
4	183261601	FF-EVOLUTION-DBL BEAM/POST BRACKET	Connects Double Beam to Post	
6	183351601	FF-EVOLUTION-3.5" POST/PIER BRACKET	For anchoring post into footings	
12	183112001	FF-EVOLUTION-BEAM CAP	Covers end of Beams	
4	183990341	FF-EVOLUTION 3/4" BLACK SELF TAPPING SCREW (BAG 250)	B3/4" Hex Head Self Tapping Screw	
4	183280601	FF-Black Sand (BKSND) Aerosol Touch Up Paint	Color matching paint for powder coated Evolution parts	

For Installation Instructions & Video please refer to www.fortressframing.com/resources

Notes:
 Refer to Fortress Framing Installation guide www.fortressframing.com
 All measurements are reference only and must be verified.
 Piers - Refer to local building codes.
 DO NOT exceed spans; refer to Fortress Framing Span Charts for beam and joist span information.
 Additional blocking may be required depending on railing installation requirements.
 Note the Total Load PSF rating. This may need to be adjusted based on Dead Load and Live Load requirements and will vary by region check local building codes.
 All attached material lists are estimates only and should be verified by a licensed contractor.

SHEET:	SCALE:	DATE:	DRAWINGS PROVIDED BY:						
3	1/4"=1'	2/22/2023	Chris Sullins	12 x 24-75PSF					PSF 75

SPECIAL NOTE: This drawing is for estimate only and must be verified by a licensed contractor and/or engineer per local building codes.